

MANITOU

MSI 30

Tier III

- Lift Capacity: 6,000 lb.
- Lift Heights to 15 ft. 5 in.
- 59 HP Kubota Diesel
- Hydrostatic Transmission



Model shown equipped with optional tires and road lights

 **MANITOU**[®]

MSI 30 Series

MSI 30D MSI 30LPG



Lift Capacity

Maximum (24 in. load center)6,000 lb.



Lift Height:

Standard lift height.....to 15 ft. 5 in.



Tires:

Drive14 x 17.5

Steer7.00 x 12



Forks:

Length48"

Thickness/Width1.75" x 5"



Brakes:

ServiceHydraulic

Parking brake.....Electro-Hydraulic



Engine:

ModeKubota V2403-M-T-E3B.....Toyota 4Y

TypeTurbo DieselPropane

Displacement.....149 cu. in.165 cu. in.

Power.....59 HP.....53 HP

Rated Speed2700 rpm/44kw2200 rpm/39kw



Transmission:

TypeHydrostatic

Reversing shift.....Electromagnetic

Maximum travel speed13 mph



Hydraulics:

Pump with flow divider.....Gear type



Controls:

Single proportional control joysticks



Capacities:

Cooling system 2.6 gal.

Engine oil 2.5 qt.

Hydraulic oil 25 gal.

Fuel tank19.5 gal.



Specifications:

Weight (with 30' mast)...9,985 lb 9,755 lb.

Overall width59 in.

Overall height to overhead guard83 in.

Turning radius (outside wheels)96 in.

Overall length117 in.

Ground clearance (rear axle).....9 in.

Draw bar pull5,512 lbf.

Mast Selections & Capacities

(Based on 24 in. Load Center)

MFH	Capacity	MFH	Capacity
		6,000 lb.	185"
		158"	185"
		Model 800493	Model 800494
6,000 lb.	130"		
	Model 800509		
*OHL	90.7"	OHL	84.6" 94.6"
*MFH	130"	MFH	158" 185"
*FFH	0"	FFH	55" 64"

2-Stage Mast
(with no attachments)

3-Stage Full Free Lift Mast
(with no attachments)

*OHL = Overall Height Lowered, MFH = Maximum Fork Height, FFH = Free Fork Height

DIMENSIONS:

	30D	30LPG
A.....	48	48
B.....	71	71
C.....	25	25
D.....	117	117
E.....	165	165
F.....	40	40
F1.....	48	48
G.....	10.5	10.8
G*.....	9.5	9.5
G1.....	9.5	9.5
G1*.....	9.5	9.5
G2.....	8.5	8.5
G2*.....	9	9
G3.....	10.5	10.5
I.....	21	21.6
J.....	40	40
K.....	49.5	49.5
L.....	1.75	1.75
N.....	57	57
O.....	5	5
P1.....	49.5°	49.5°
P2.....	40.5°	40.5°
P3.....	40°	40°
R.....	96	96
S.....	99.5	99.5
T.....	178	178
U.....	83	83
V.....	102	102
V1.....	4	4
W.....	59	59
Y.....	12°	12°
Z.....	10°	10°

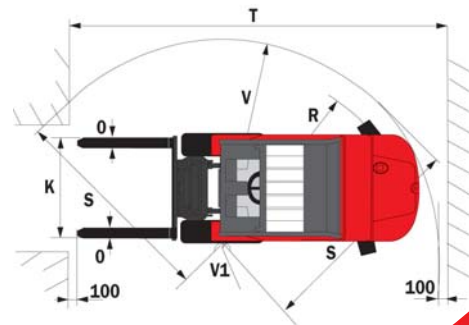
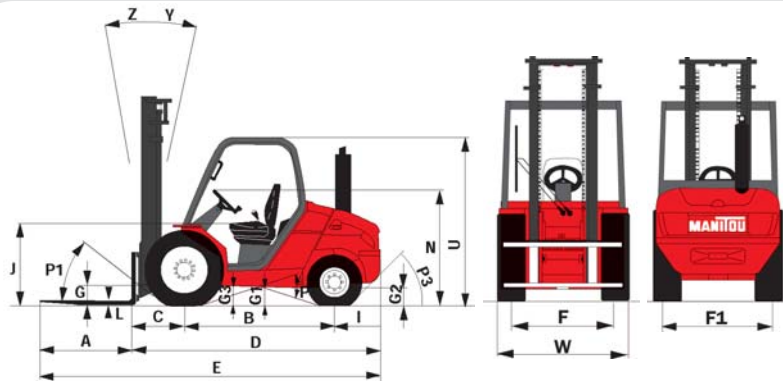
G* = Loaded

STANDARD EQUIPMENT:

- Hydrostatic Transmission
- Power Assisted Steering
- Electric Forward/Reverse Shift
- 10° Forward/12° Back Tilt
- Heavy Duty Steer Axle with Integral Cylinder
- Electro-Hydraulic Parking Brake
- Noise Reduction
- Electrically Hoisted Cab for Easy Maintenance Access
- Adjustable Seat with Hydraulic Shock Absorber
- Automatic Acceleration System for Lifting
- Single Joystick Combines Up/Down/Tilt

OPTIONAL EQUIPMENT:

- 90.7/0/130 2-Stage Mast
- 84.6/55/158 3-Stage Mast
- 94.6/64/185 3-Stage Mast
- Fully Enclosed Cab
- Sideshift
- Worklights



Dealer:



MANITOU NORTH AMERICA, INC. - P.O. Box 21386 - Waco, TX 76702-1386
Tel: 800-433-3304 - Fax: 254-799-4433 - www.us.manitou.com