

# MANISCOPIC

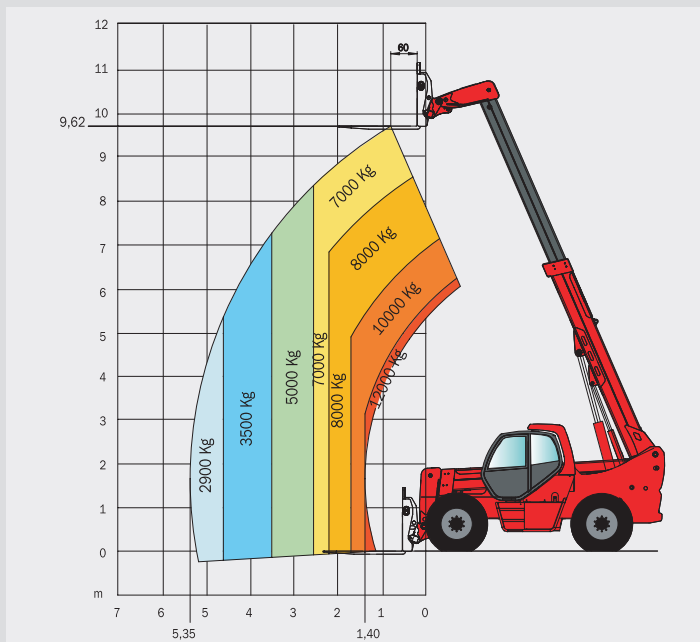
# MHT 10120 L

- Capacity : 12000 kg
- Lift height : 9,62 m
- Engine : 177 HP
- 4 wheel steer – 4 wheel drive
- Hydrostatic transmission
- Frame levelling 10°/10°

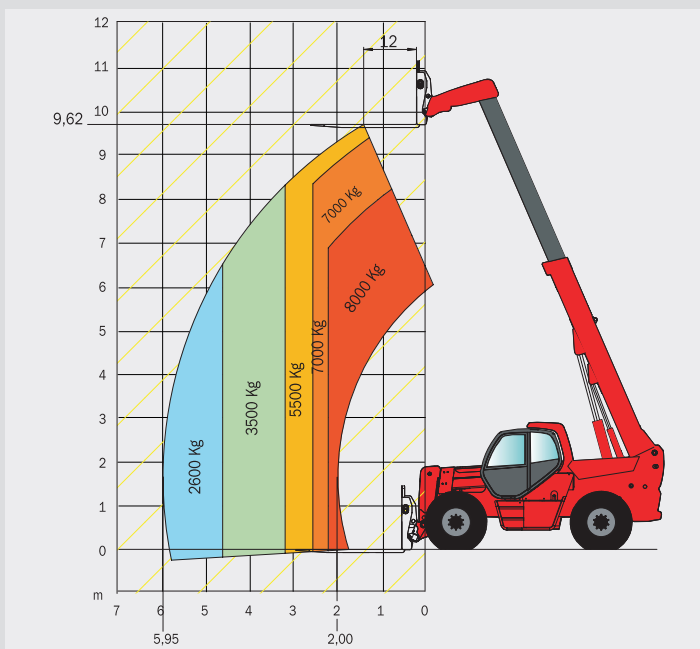


# MHT 10120 L TURBO

## LOAD CENTRE AT 600 MM



## LOAD CENTRE AT 1200 MM



## ENGINE

Diesel MERCEDES OM 904 LA Turbo – Intercooler – Air / Air

Capacity : 4 cylinders / 4250 cm<sup>3</sup>  
 Power (ISO/TR 14396) : 177 HP / 130 kw  
 Rated speed : 2200 r.p.m.  
 Maximum torque at 1200 r.p.m. : 675 Nm

Electronic injection (4 injection pumps and 4 injectors)

Fan : puller  
 Cooling : water

Water radiator, with double-speed hydraulic fan (2000 to 3000 r.p.m.)

Anti-polluting standards : EUR2  
 Air filter (type / micron) : cartridge / 3  
 Battery : 12 Volts  
 Capacity : 120 Ah

## LIFT CAPACITY / HEIGHT

Load centre	at 600 mm	at 1200 mm
Lift capacity :	12000 kg	8000 kg
Capacity at max. height	7000 kg	5500 kg
Capacity at max. front reach :	2900 kg	2600 kg
Lift height :	9.62 m	9.62 m
Maximum front reach :	5.35 m	5.95 m

## TRANSMISSION

Hydrostatic transmission **REXROTH**

Hydrostatic variable flow pump : 71 cm<sup>3</sup>  
 Hydrostatic variable cylinder engine : 140 cm<sup>3</sup>  
 Reversing shift : electro-magnetic  
 Differential central : NO

2 forward and reverse speeds :

Low speed : 10 km/h  
 Fast speed : 25 km/h

## HYDRAULICS

**Main pump :** Piston Load Sensing Haute pression

Capacity : 75 cm<sup>3</sup>  
 Maximum pressure : 350 bar  
 Flow : 165 L/mn  
 Max. flow on attachment (at 350 bar) : 140 L/mn

## Steering pump

Type : Load sensing  
 Maximum pressure : 180 bar

## Power brake circuit pump

Type : **REXROTH**  
 Capacity : 18.7 cm<sup>3</sup>  
 Maximum pressure : 40 bar  
 Flow : 41 L/mn

## Hydraulic oil radiator

2 continuous fans  
 2 automatic fans

**Distributor :** Big flow hydraulic proportional REXROTH (280 to 300 L/mn) with 4 closed centre elements

## Drive Type :

Proportional hydraulic joystick with 3 movement combination

- 1- Lifting / Crowding
- 2- Boom extension / Attachment
- 3- Lifting / Boom extension

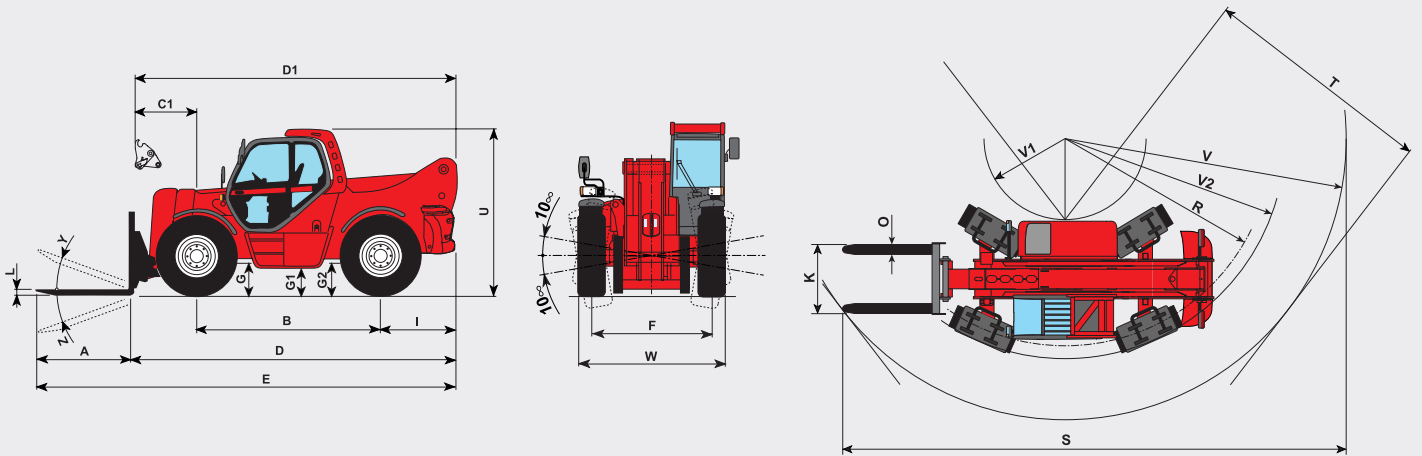
## Flexibles

TP tube type with high pressure type flexible links

## Filtration degree (micron) :

Suction : 250 mic  
 Return : 10 mic  
 Filtration air tank : 10 mic

## DIAGRAMS



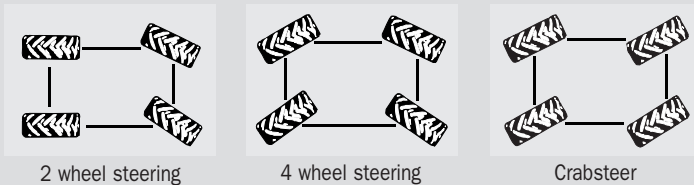
A	B	C	D	E	F	G	G1	G2	I	K	L	M	O	R	S	T	U	V	V1	V2	W	Y	Z
1800	3300	1115	5950	7750	1956	550	445	550	1425	1430	70	2300	200	4233	9205	4615	2900	5868	1690	4528	2400	20°	115°

### AXLES

HURTH "Heavy Duty", oil bath with epicycloidal reduction with 4 satellites Integrated steering cylinders with double action in high position

Frame levelling 10°/10° on front axle

3 steering modes:



### BRAKES

Type : oil bath multidisc  
 Drive type : hydraulic  
 On axle : front + rear

Parking brake on front and rear axles :  
 Oil bath multidisc negative parking brake

### TYRES

Model : 17.5 - 25  
 Pressure : 7 bar  
 Drawbar pull : 11300 daN

### LIFTING/TELESCOPING MOTIONS

Unladen lifting : 13 sec  
 Unladen lowering : 9 sec

Unladen extending internal telescope : 14.5 sec  
 Unladen retracting internal telescope : 9 sec

### FORKS

Standard equipment TFF 10750  
 Dimensions : 200 x 80 x 1500 mm  
 Weight of forks : 560 kg

### WEIGHT

Total weight without equipment : 15900 kg  
 Total weight unladen with forks : 17000 kg  
 Total weight laden with forks : 29000 kg

#### Load on axle with standard equipment (unladen)

On front axle, boom retracted : 6350 kg  
 On rear axle, boom retracted : 10650 kg

#### Load on axle with standard equipment (laden)

On front axle, boom retracted : 25000 kg  
 On rear axle, boom retracted : 4000 kg

### CAPACITIES

Cooling circuit : 16 L  
 Engine oil : 8,1 L  
 Equipment hydraulic oil : 290 L  
 Fuel tank : 200 L

### STANDARD EQUIPMENTS

- ROPS-FOPS cabin
- GRAMMER seat
- Front and rear wipers
- Driving lights
- Rotating beacon
- Left rearview mirror
- Safety device with automatic lock of aggravating movements
- Safety valves on cylinders
- Heating

### OPTIONS

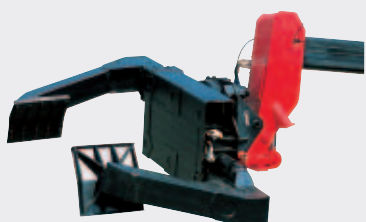
- Air conditioning
- Comfort seat
- Roof wipers
- Cabin rearview mirror

# MHT 10120 L TURBO

# MHT 10120 L TURBO



## OPTIONAL ATTACHMENTS



Tyre handler



Bucket



Cylinder carriage

## EQUIPMENTS CUSTOMIZED TO ORDER

This publication in no way constitutes an offer and the company reserves the right to alter specification without prior notice. The MANITOU models presented in this brochure can be supplied complete with optional equipment attachments.



227/05/2003

**PROVISORY**



**MANITOU B.F. S.A.**  
B.P.249 - 44158 ANCENIS CEDEX - FRANCE  
TEL : 33 2 40 09 10 11  
EXPORT DEPARTMENT FAX : 33 2 40 09 10 97  
[www.manitou.com](http://www.manitou.com)