

COMPACT 10 N.1

Compact size

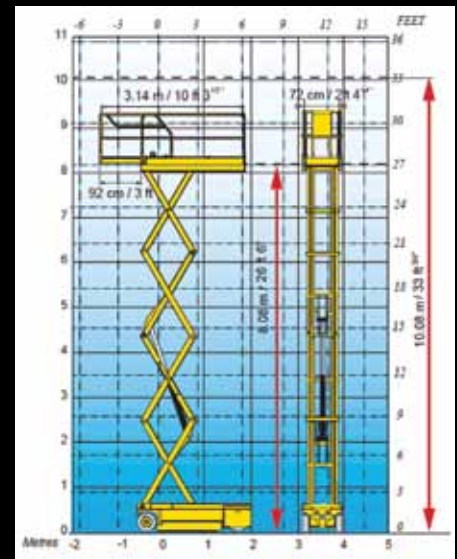
- ➔ Width of 81 cm to operate in the most congested areas
- ➔ Compact stowed height for easy access through standard doorways

Exceptional productivity

- ➔ Load capacity 230 kg
- ➔ Driveable at full height
- ➔ Extended platform
- ➔ Robust, reliable, easy to maintain
- ➔ Indoor and outdoor rated

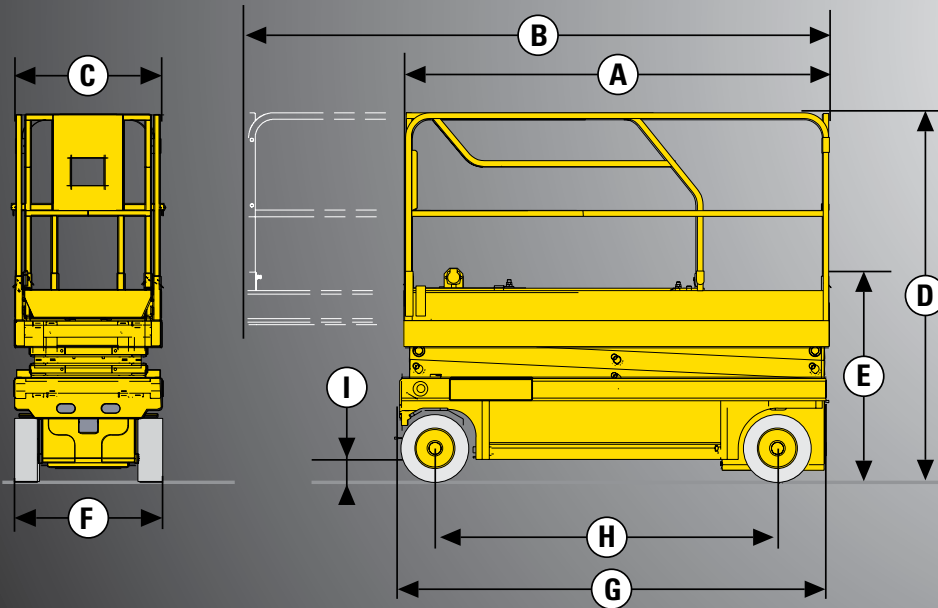


Compact 10 N.1



COMPACT 10 N.1

ELECTRIC SCISSOR LIFTS



TECHNICAL DATA

Compact 10 N.1

Working height	10 m
Platform height	8 m
Driveable at full height up to	8 m
Lift capacity - inside	230 kg
Lift capacity - outside	120 kg
A - Platform length - outside	2.3 m
B - Platform length - extended	3.22 m
Length - extension	0.92 m
C - Platform width - outside	0.8 m
E - Storage height	1.33 m
D - Height - stowed	2.17 m
F - Overall width	0.81 m
G - Length	2.48 m
H - Wheelbase	1.86 m
I - Ground clearance - Centre	12.5 cm
Ground clearance - Pothole guards deployed	2.5 cm
Drive speed	1 - 3.5 km/h
Gradeability	23 %
Tilt	2 °
Lift / lower speed	51 s / 42 s
Turning radius - outside	2.38 m
Tyres - non marking	15x5
Batteries	24 V - 185 Amph (C5)
Weight	2445 kg

STANDARD EQUIPMENT

- Pothole guards
- Battery charge indicator
- Proportional lift and drive
- Folding handrails
- Swing out component tray
- Battery charger
- Solid non-marking tyres
- Free wheeling device
- Load Management System in the platform
- Manual platform lowering valve
- Integrated forklift pockets
- Towing hooks
- Horn
- Hourmeter
- Flashing light
- Travel alarm

OPTIONS AND ACCESSORIES

- Working light
- Power to platform
- Biodegradable hydraulic oil



Haulotte 
GROUP